

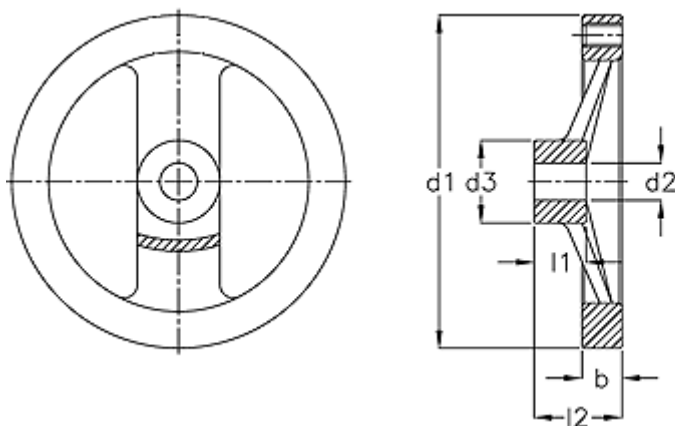
# Data Sheet



Article number: 20345341

Description: E+G Handwheel  
GN 322-250-B22-A

## Measures



b = 23.0

d1 = 250

d2 H7 = 22

d3 = 48

l1 = 28

l2 = 51